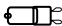


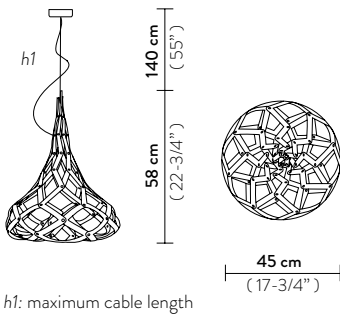




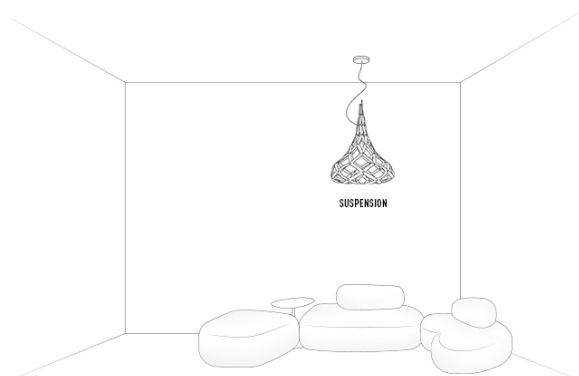


# SUPERMORGANA design by Stefano Papi


Compendium page **304**

PRODOTTI	MISURE	COLORI	CODICE
<p><b>SUSPENSION</b></p> <p>Bulbs G9:   1 X 2W LED</p> <p>Made of: Metallized Polycarbonate</p> <p>Weight: net Kg 0,70 - gross Kg 2,25</p> <p>Package: 50 x 50 x h65cm</p> <p>CE IP 20  </p>	 <p><i>h1</i>: maximum cable length</p>	<ul style="list-style-type: none"> <li> MIRROR/BL.</li> <li> MIRROR/W.</li> <li> GOLD/BLACK</li> <li> GOLD/WHITE</li> </ul>	<p>SM076S0S0000BS000</p> <p>SM076S0S0000WS000</p> <p>SM076S0S0000BG000</p> <p>SM076S0S0000WG000</p>

## SUPERMORGANA ENTIRE COLLECTION



## ENERGY CLASS



This luminaire is compatible with bulbs of the energy classes:

A++

A+

A

~~B~~

~~C~~

~~D~~


~~E~~

}

L

E

D



**SLAMP:** SUPERMORGANA

874/2012